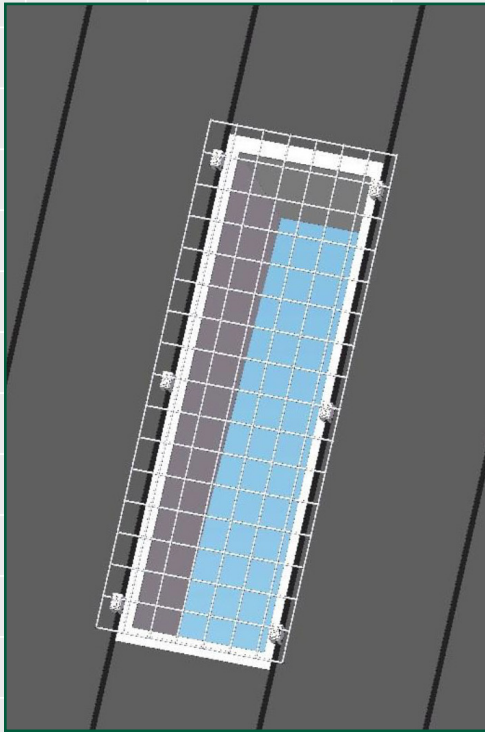


## **Flat Standing Seam** December 21, 2016; Revision B

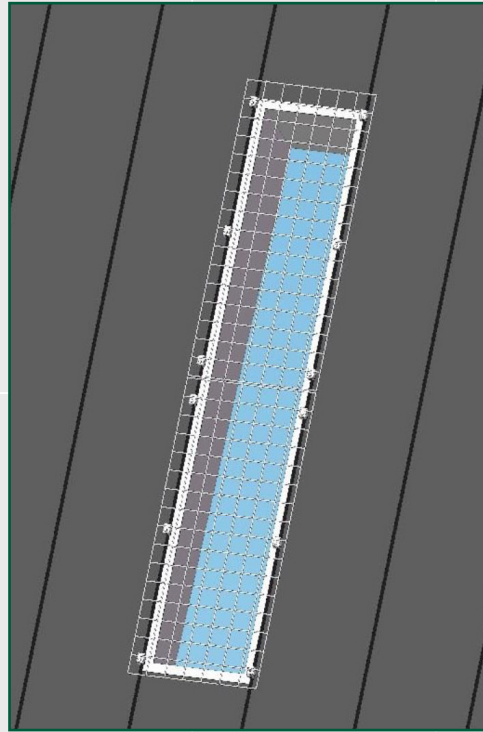
### **SINGLE SCREEN:**

- Fits 2 ft. long to 5 ft. long Skylights
- S5-E P/N: BW550125  
S5-U P/N: BW550123  
S5-S P/N: BW550127  
S5-N P/N: BW550129



### **DUAL SCREEN:**

- Fits 6 ft. long to 10 ft. long Skylights
- S5-E P/N: BW550126  
S5-U P/N: BW550124  
S5-S P/N: BW550128  
S5-N P/N: BW550130



Screens fit Seam Spacing from 12" to 36" wide.

### **RECOMMENDED TOOLS FOR ASSEMBLY:**

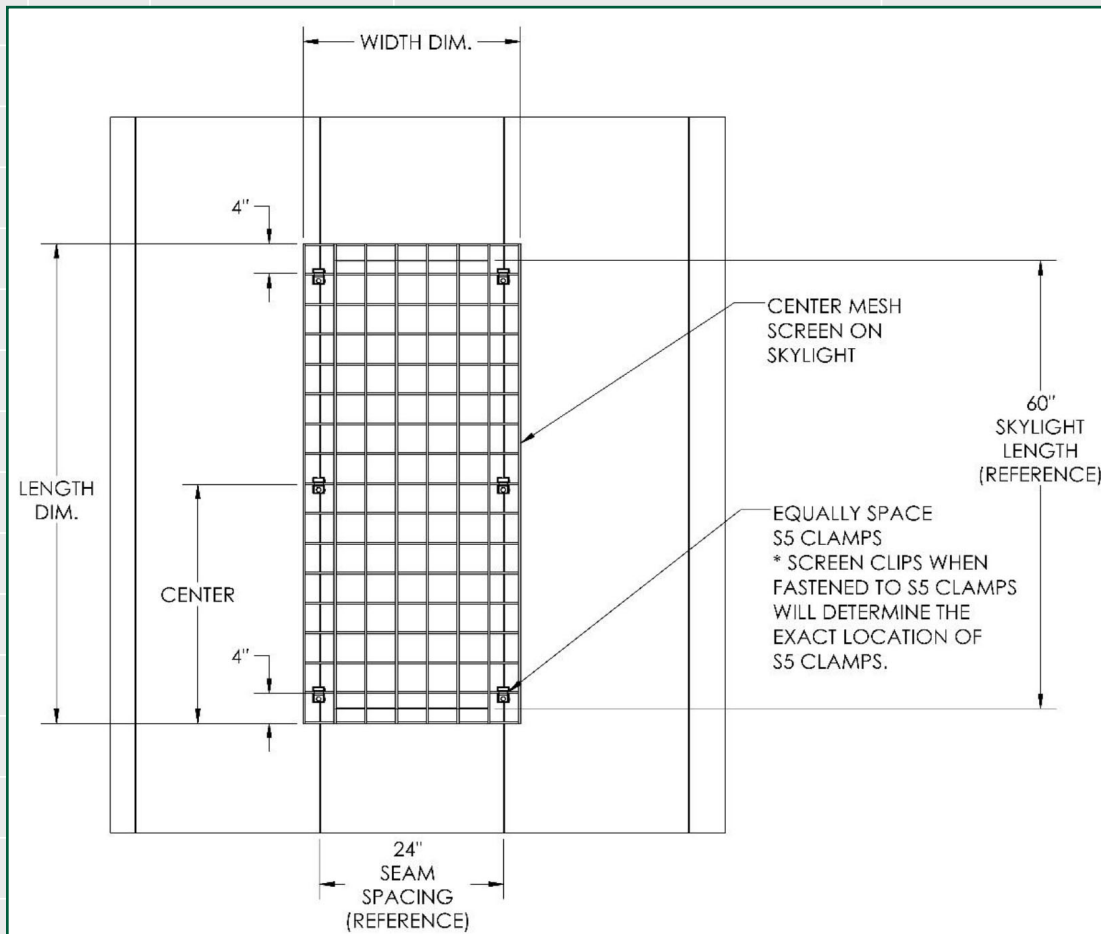
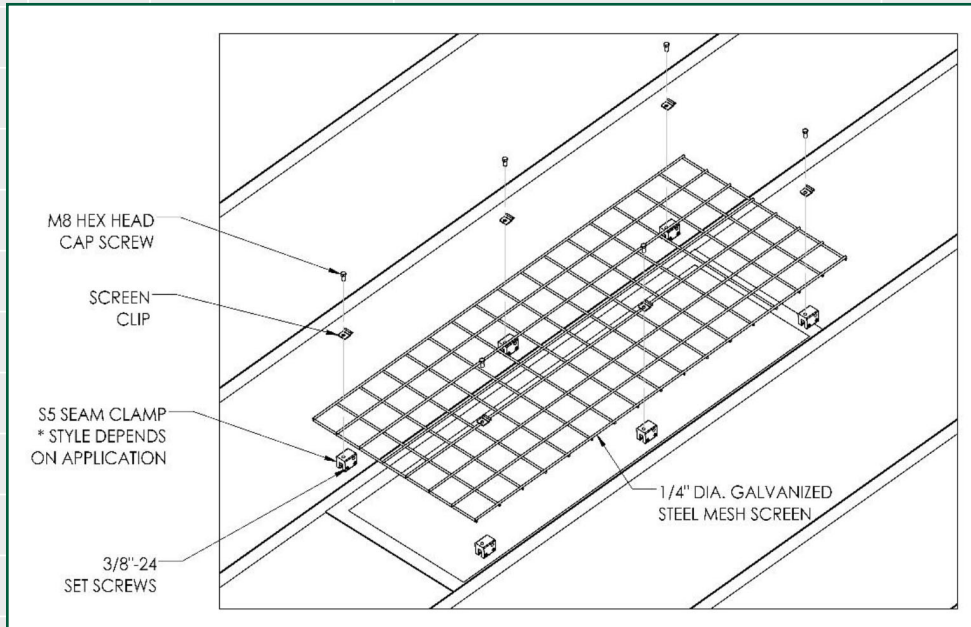
- 13mm wrench & 3/16" Allen wrench (hex key)

### **INSTALLATION PROCEDURE:**

1. Place S5 clamps on seams equally spaced and center Screen Panel on top of S5 clamps.
2. Install Screen Clips with M8 Hex Head Cap Screws. Clips will determine the actual location of the S5 clamps on the seams.
3. Adjust Screen and S5 clamps again to make sure screen is centered on the Skylight.
4. Tighten M8 Hex Head Screws & 3/8"-24 Set Screws on S5 clamps.
5. Repeat for Dual Screen allowing 1/4" space between screens.

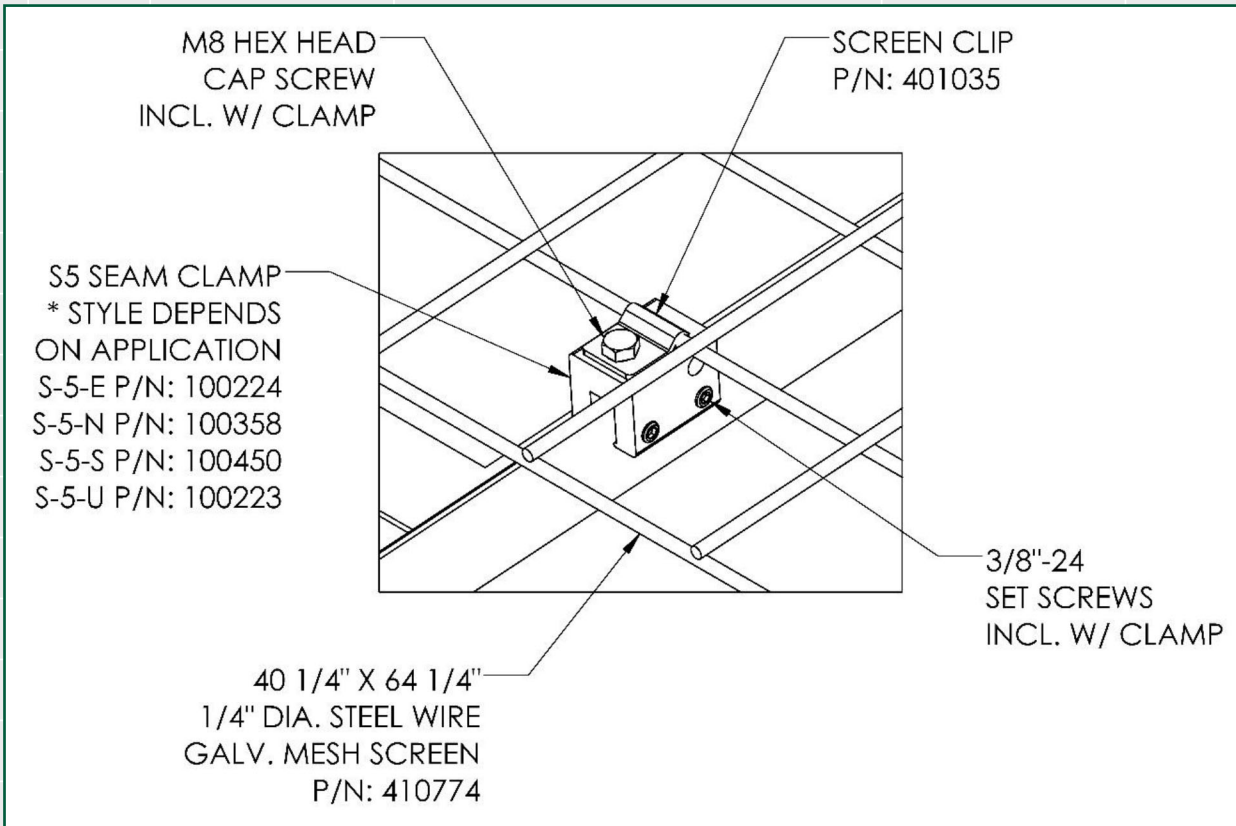
## Flat Standing Seam December 21, 2016; Revision B

### INSTALLATION PROCEDURE: (continued)



## Flat Standing Seam December 21, 2016; Revision B

### INSTALLATION PROCEDURE: (continued)



### ANNUAL INSPECTION PROCEDURE:

- Check for any loose or missing fasteners.
- Replace and tighten all fasteners.
- If mesh screen is damaged replace with a new one.